

# ATSW LIGHT-DUTY COMMERCIAL/RESIDENTIAL TROLLEY OPERATOR FOR SECTIONAL DOORS

SECTION 08 71 13



## KEY FEATURES

<b>STANDARD APPLICATION</b>	Recommended for residential or light-duty commercial standard-lift sectional overhead doors in light-duty-cycle applications
<b>RATED DUTY CYCLE</b>	Light-duty: Up to 8 cycles/hour
<b>OPERATOR SPEED</b>	8-9 Inches per second
<b>LIMIT SETTINGS</b>	Electronic
<b>EMERGENCY DISCONNECT FOR MANUAL OPERATION</b>	Emergency release rope with handle
<b>EMERGENCY DISCONNECT WITH AUTO-RECONNECT</b>	Automatically reconnects the next time the operator is activated
<b>PROGRAMMING</b>	Tactile buttons
<b>CIRCUIT BOARD</b>	Solid-state circuit board
<b>CLUTCH</b>	Not required due to automatic safety reverse
<b>MOTOR REVERSE ACTION PROTECTION</b>	Delay-on-reverse circuit
<b>MOTOR OPERATOR WALL CONTROL</b>	Single-button control station
<b>TROLLEY TRACK</b>	Heavy-duty steel "I-beam"

## SPECIFICATIONS

<b>RADIO RECEIVER</b>	Security+ 2.0® technology standard on-board; accepts up to (40) single-button remote controls plus up to (4) wireless keypads plus up to (16) myQ devices or an unlimited number of trinary DIP switch remote controls
<b>VOLTAGE CONNECTIONS</b>	Single-phase: 120VAC, 60Hz
<b>DRIVE REDUCTION</b>	Helical and worm gears (operating 10-tooth sprocket)
<b>BRAKE</b>	No
<b>TROLLEY ROLLER CHAIN</b>	#48 standard
<b>WARRANTY</b>	1 year

## INSTALLATION FEATURES

<b>MAXIMUM DOOR HEIGHT</b>	14 feet
<b>MAXIMUM DOOR WIDTH</b>	18 feet
<b>MAXIMUM ALLOWABLE SQUARE FOOTAGE</b>	252 square feet
<b>INTERNET CONNECTIVITY</b>	myQ® Technology enables remote monitoring and control of the commercial door via a smartphone, tablet, or computer****

This commercial/residential door operator must be equipped with the external monitored entrapment protection photo eyes that are provided standard. Use only LiftMaster monitored entrapment protection devices to meet UL 325 requirements.

\*\*\*\*Operator directly connects via built-in wi-fi, myQ app required.

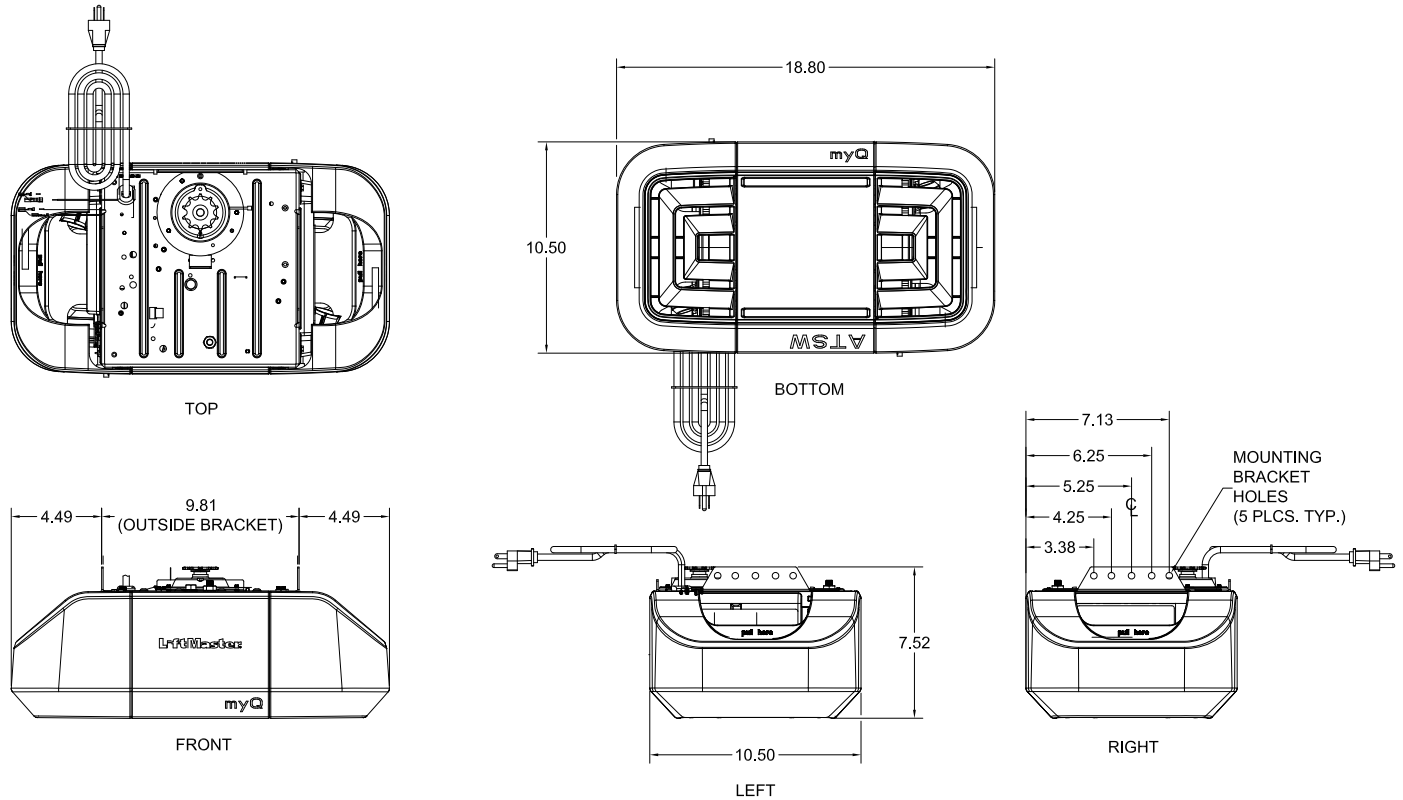
**DATA SHEET**  
LIGHT-DUTY TROLLEY OPERATOR  
FOR SECTIONAL DOORS

**LiftMaster**

# ATSW LIGHT-DUTY COMMERCIAL/RESIDENTIAL TROLLEY OPERATOR FOR SECTIONAL DOORS

SECTION 08 71 13

## DIMENSIONS



## CAPACITY

MAXIMUM DOOR AREA (SQ. FT.)					
STANDARD SECTIONAL	-	24 GA. Steel	20 GA. Steel	16 GA. Steel	-
	Fiberglass	Aluminum Doors	Wood Doors	-	-
	-	-	24 GA. Steel Insulated	20 GA. Steel Insulated	16 GA. Steel Insulated
SQUARE FEET	252	224	180	120	80

Recommended duty cycle: 8 cycles per hour (MAX.); fewer than 25 cycles/day.